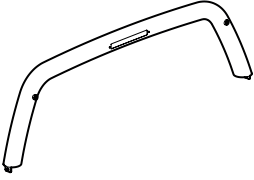
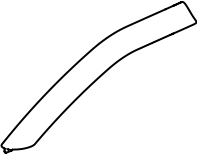
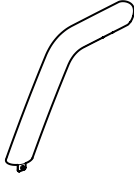
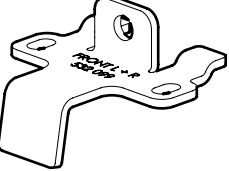
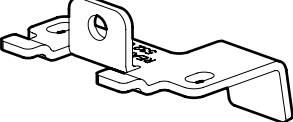
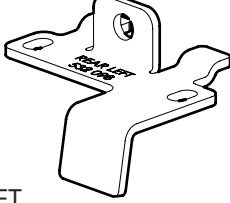

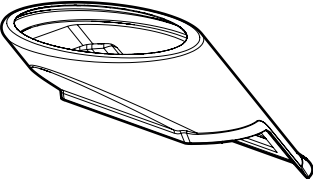
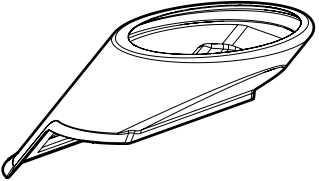


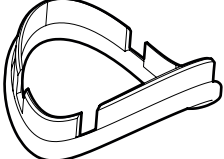
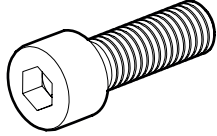
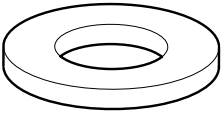
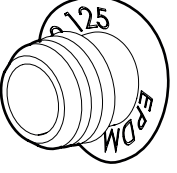
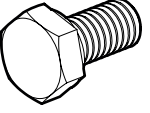


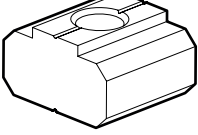
Mountain Top® Sports Bar

Installation manual



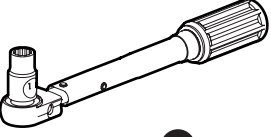

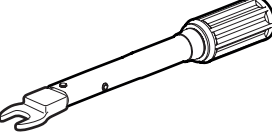
DOWNLOAD PDF



Parts		
A  x 1	B  x 1	C  x 1
D  FRONT LEFT+RIGHT x 2	E  REAR RIGHT x 1	F  REAR LEFT x 1
G  FRONT LEFT+RIGHT x 2	H  REAR RIGHT x 1	I  REAR LEFT x 1

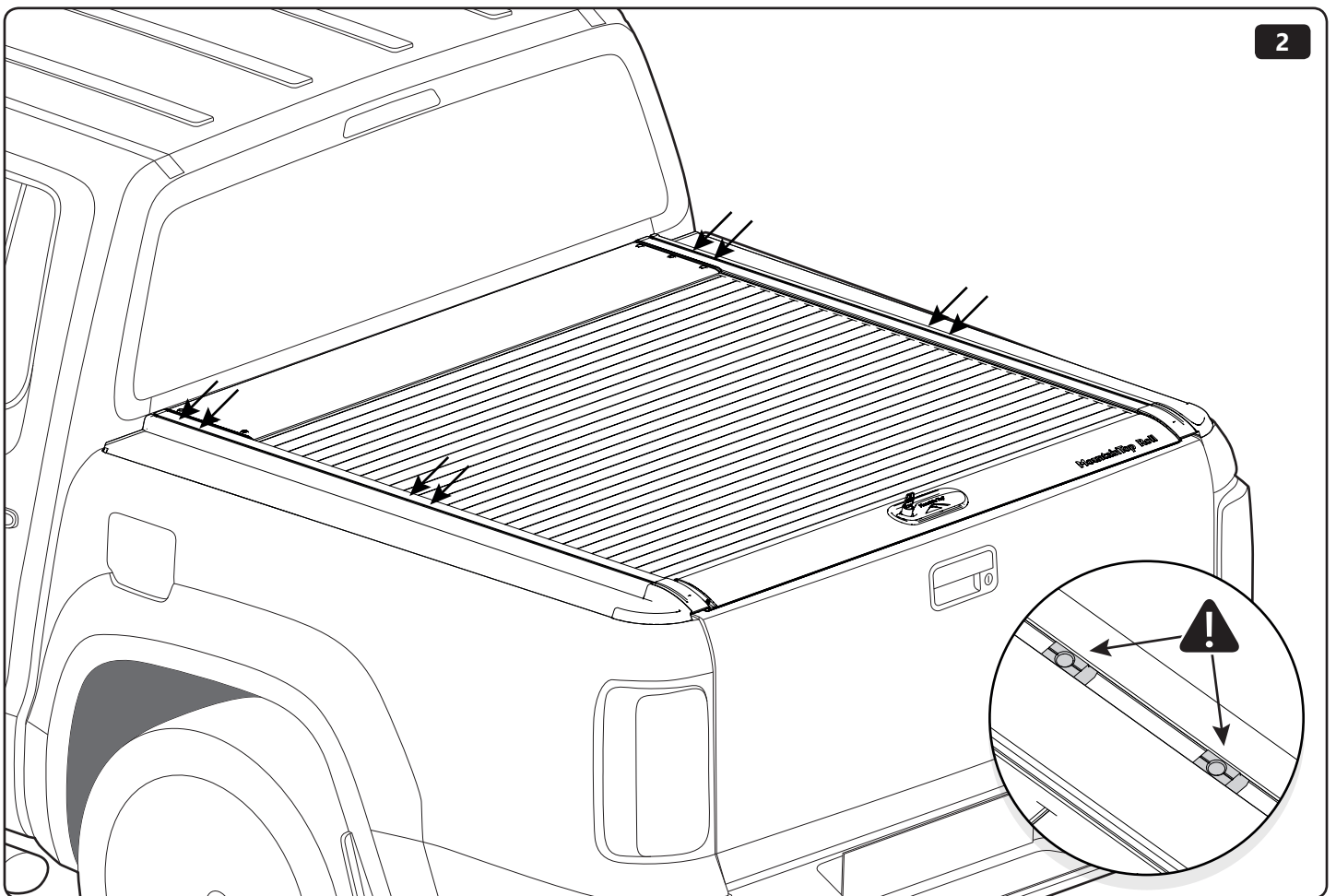
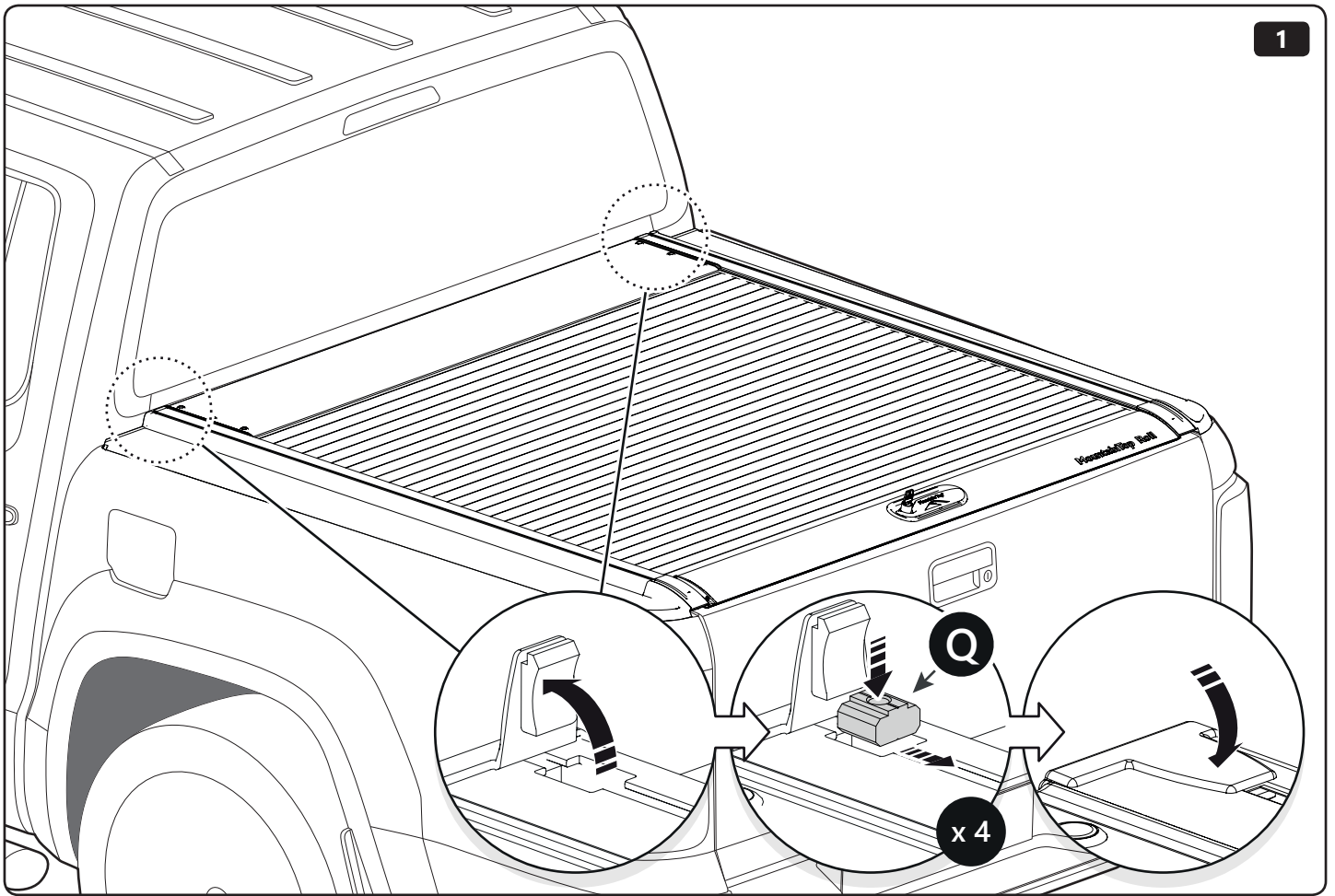
Kit			
J  x 2	K  M8x20 x 6	L  M8 x 6	M  x 2
N  M6x12 x 8	O  M6 x 8	P  x 8	Q  x 8

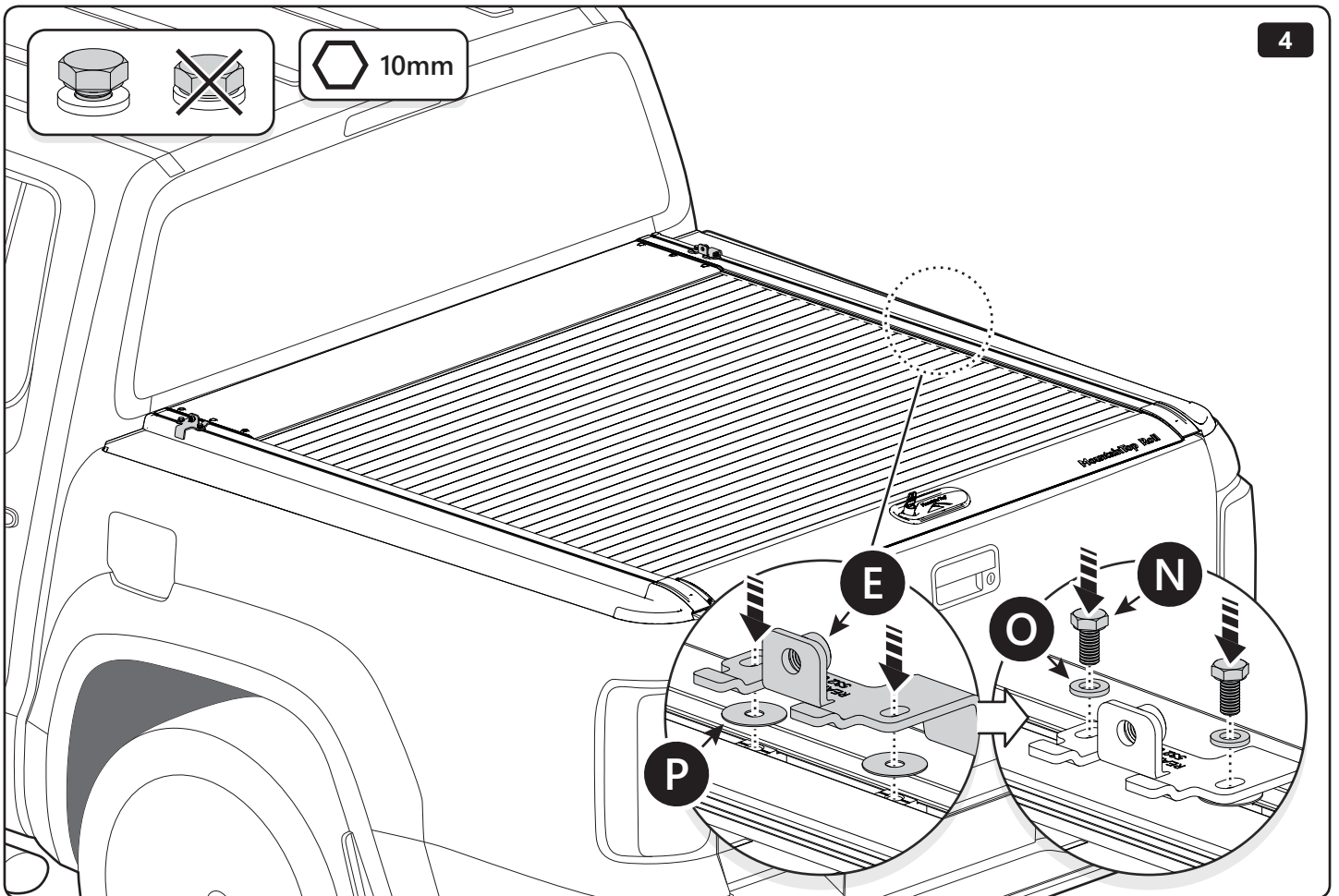
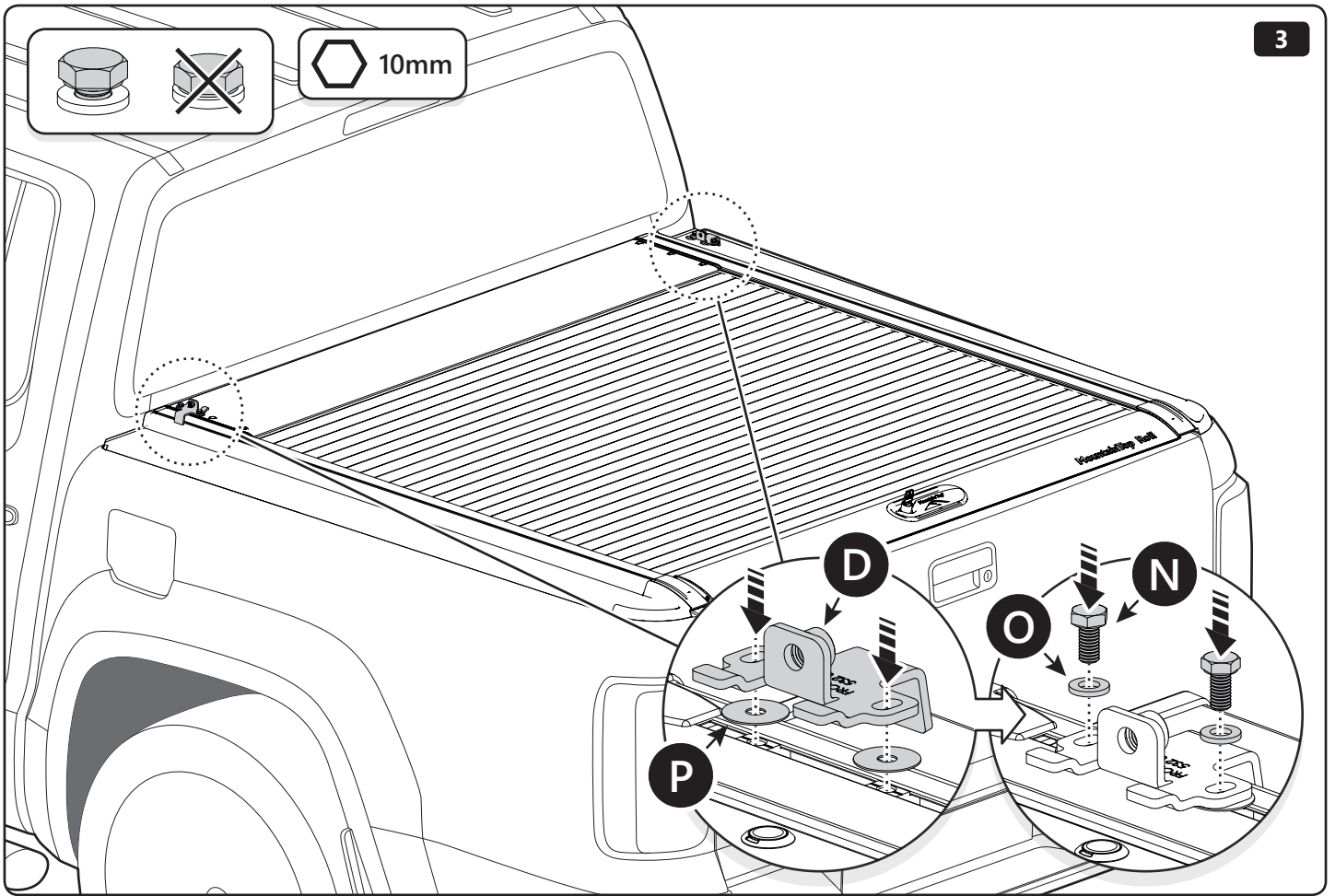
Tools and materials needed

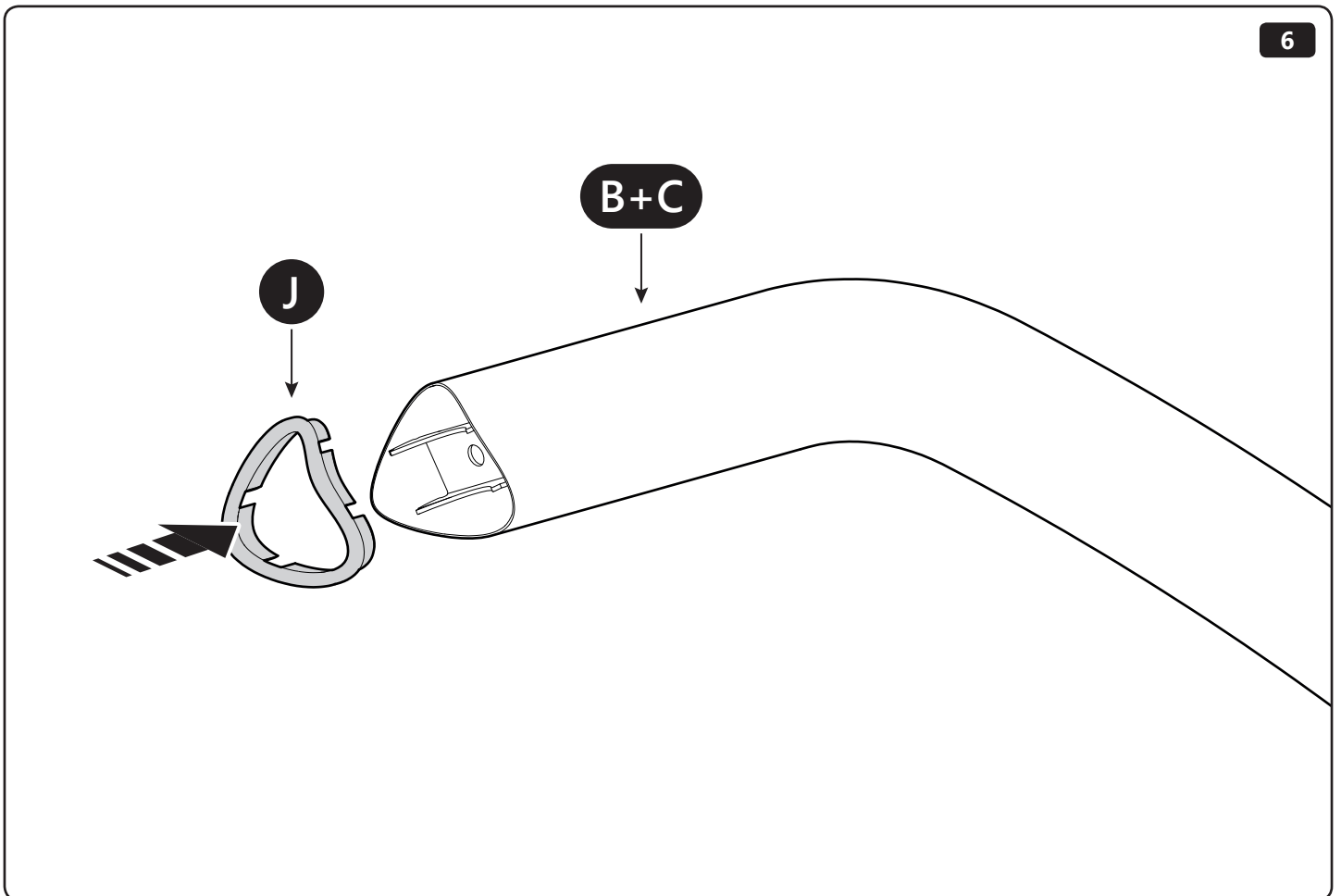
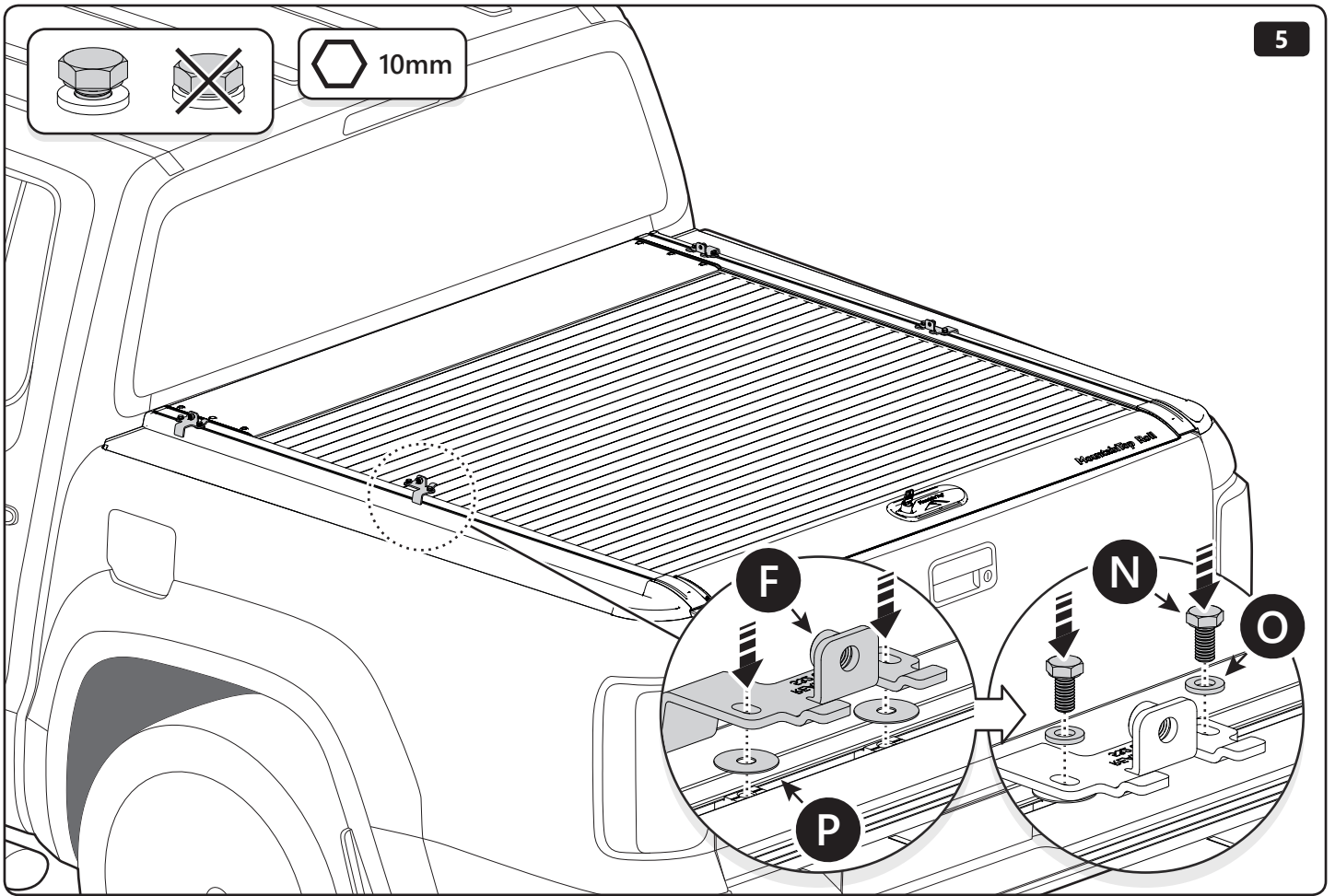
1 - 25 Nm

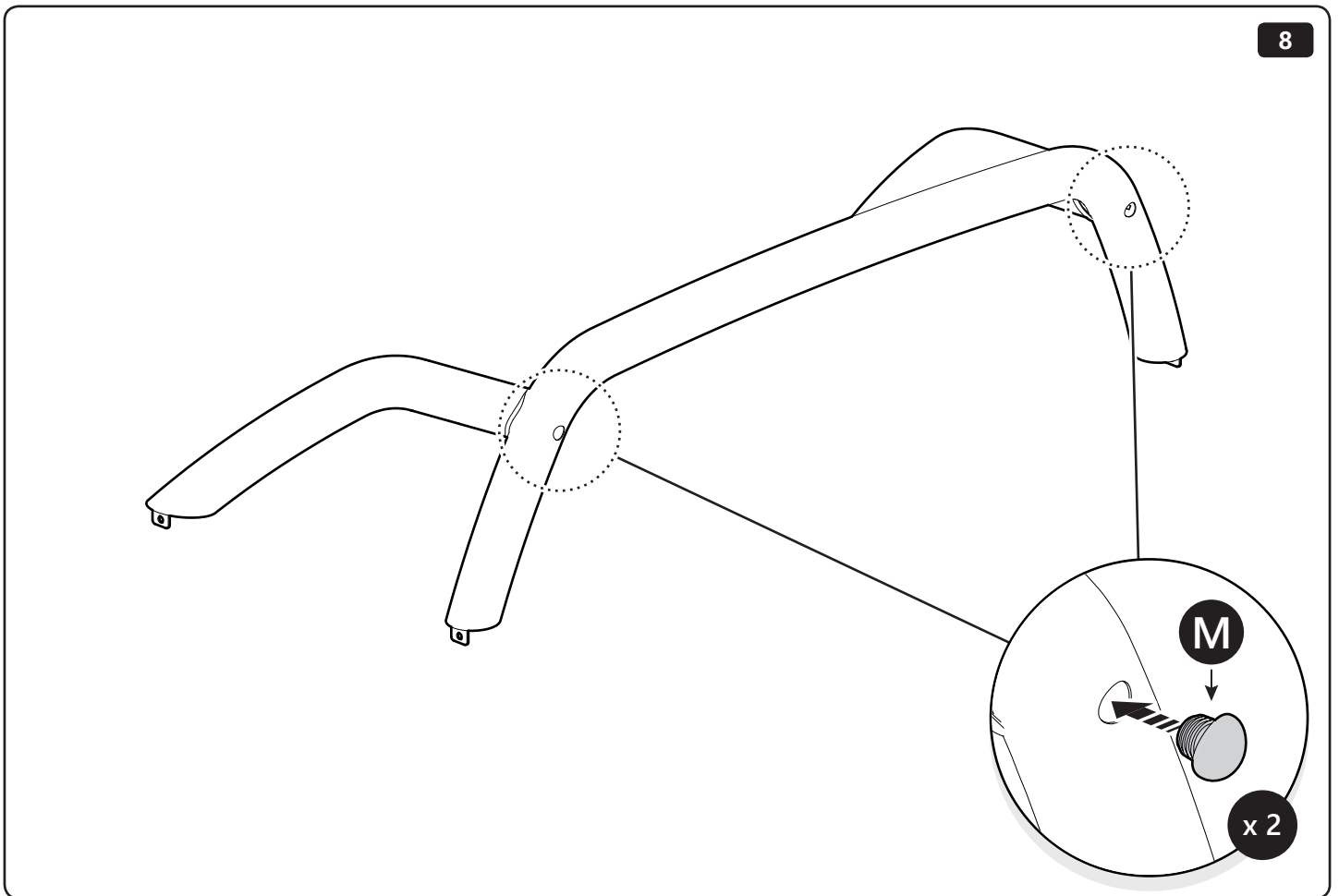
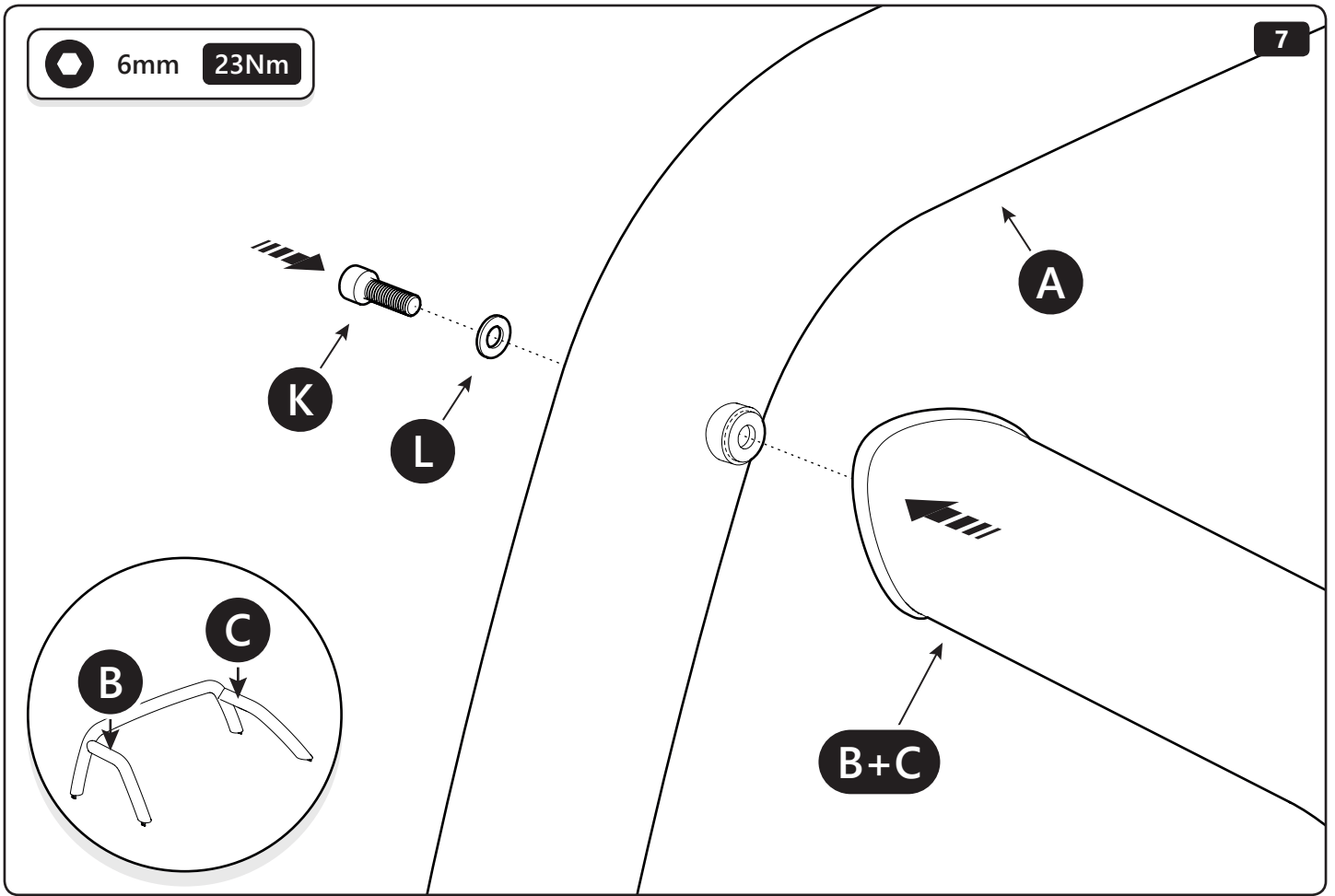




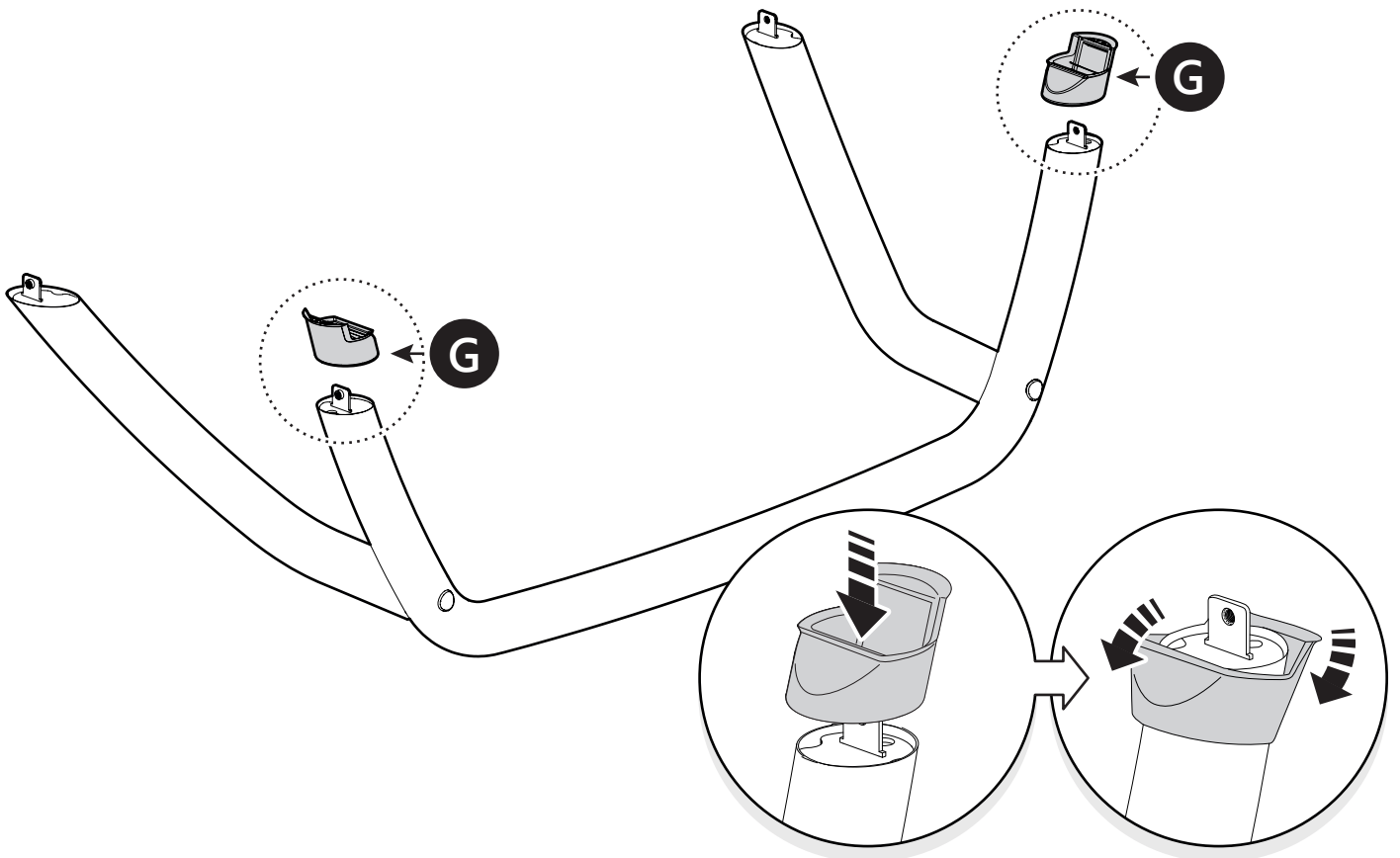
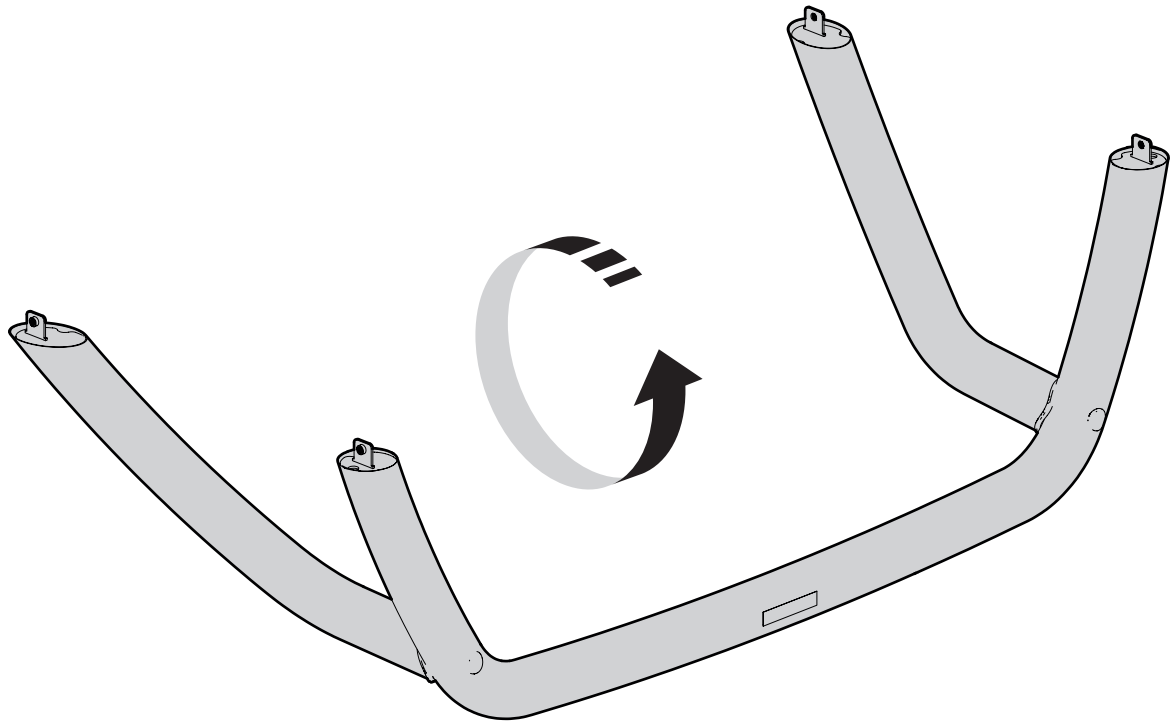
 6mm
  10mm

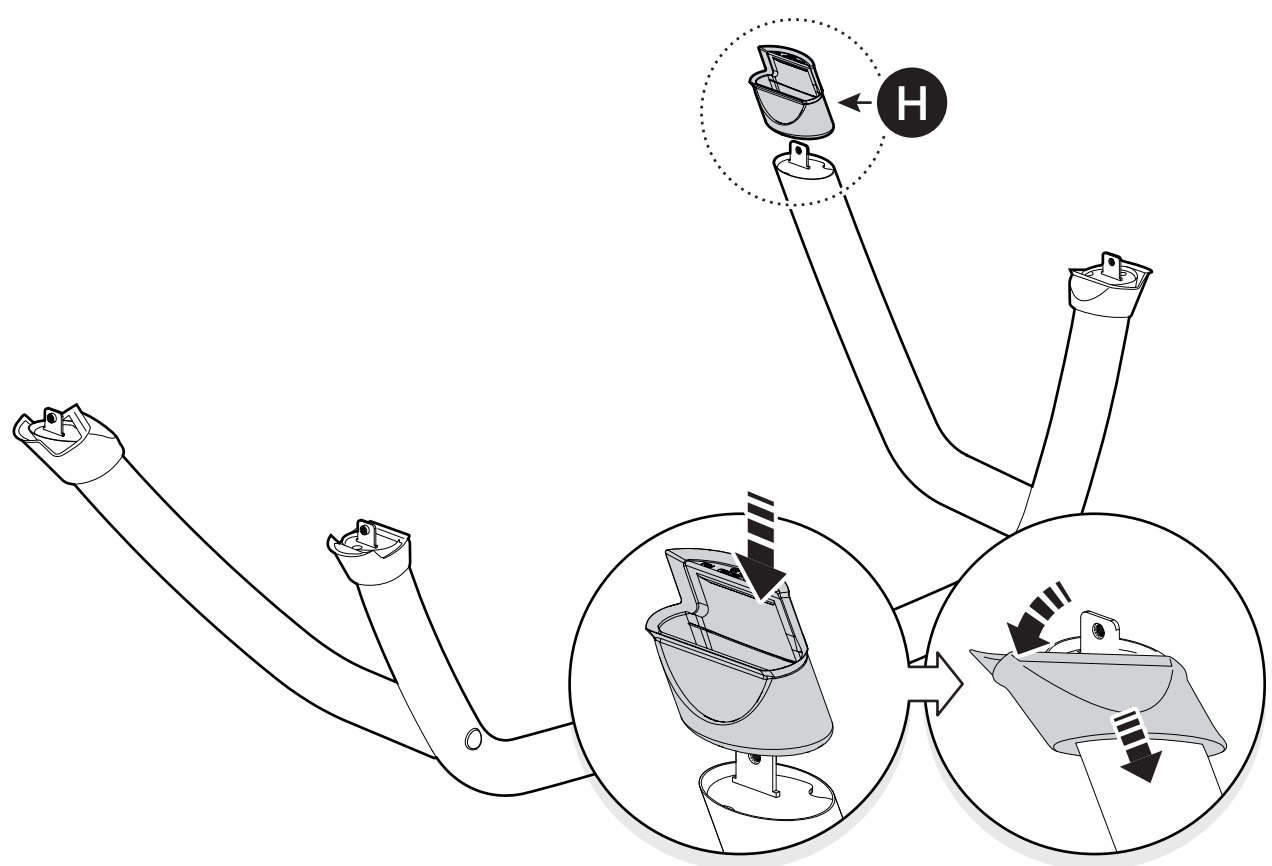
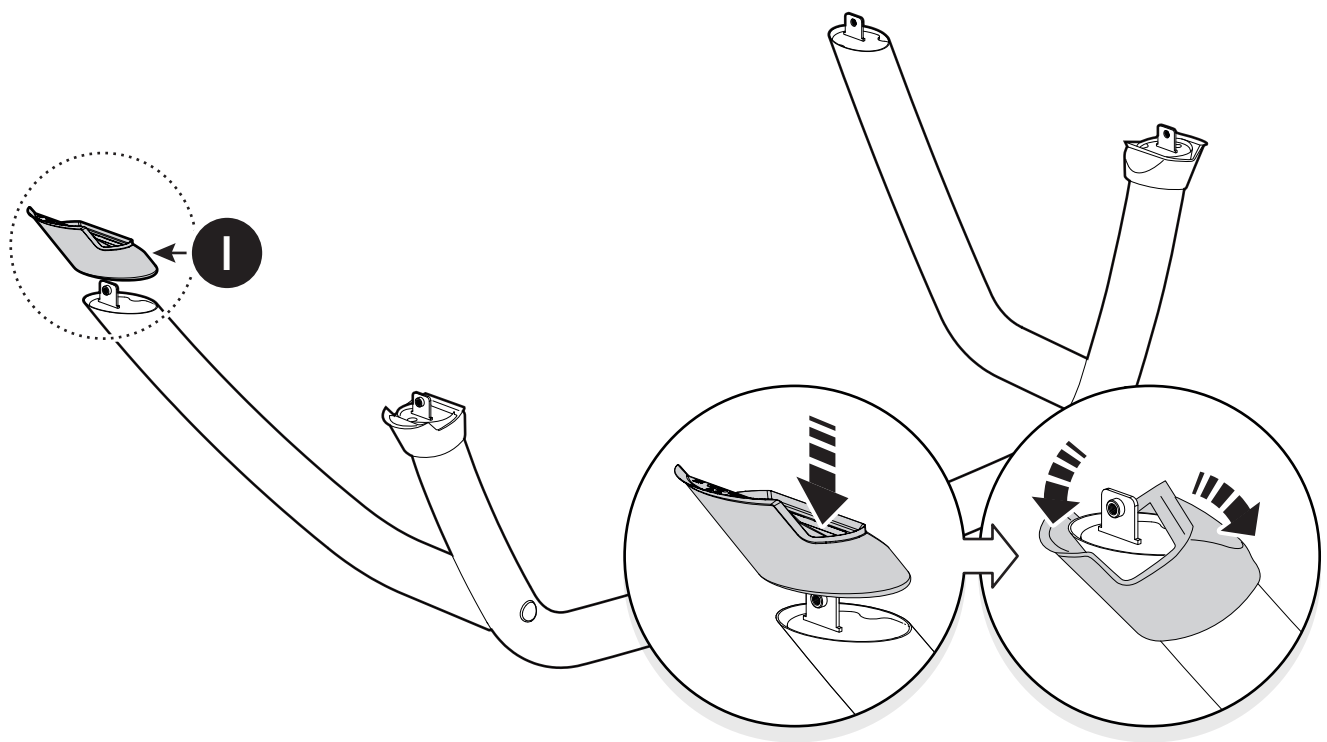


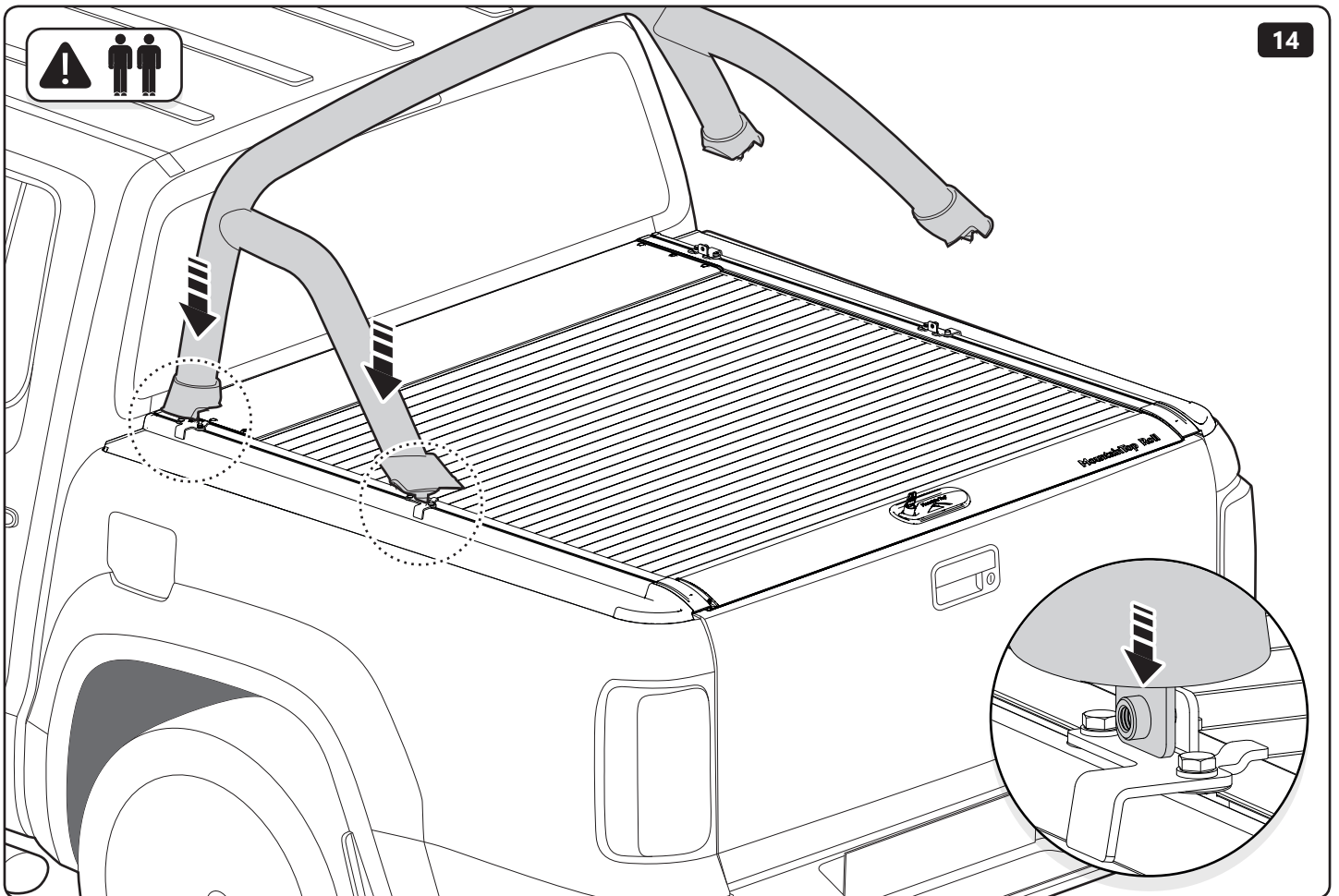
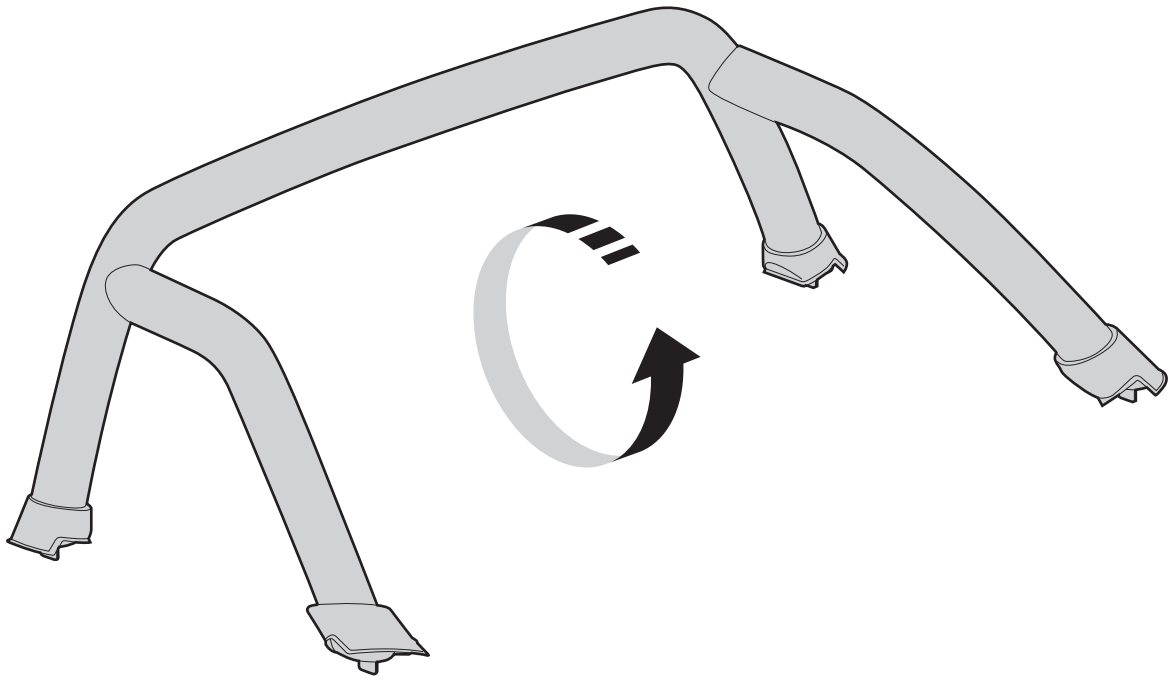


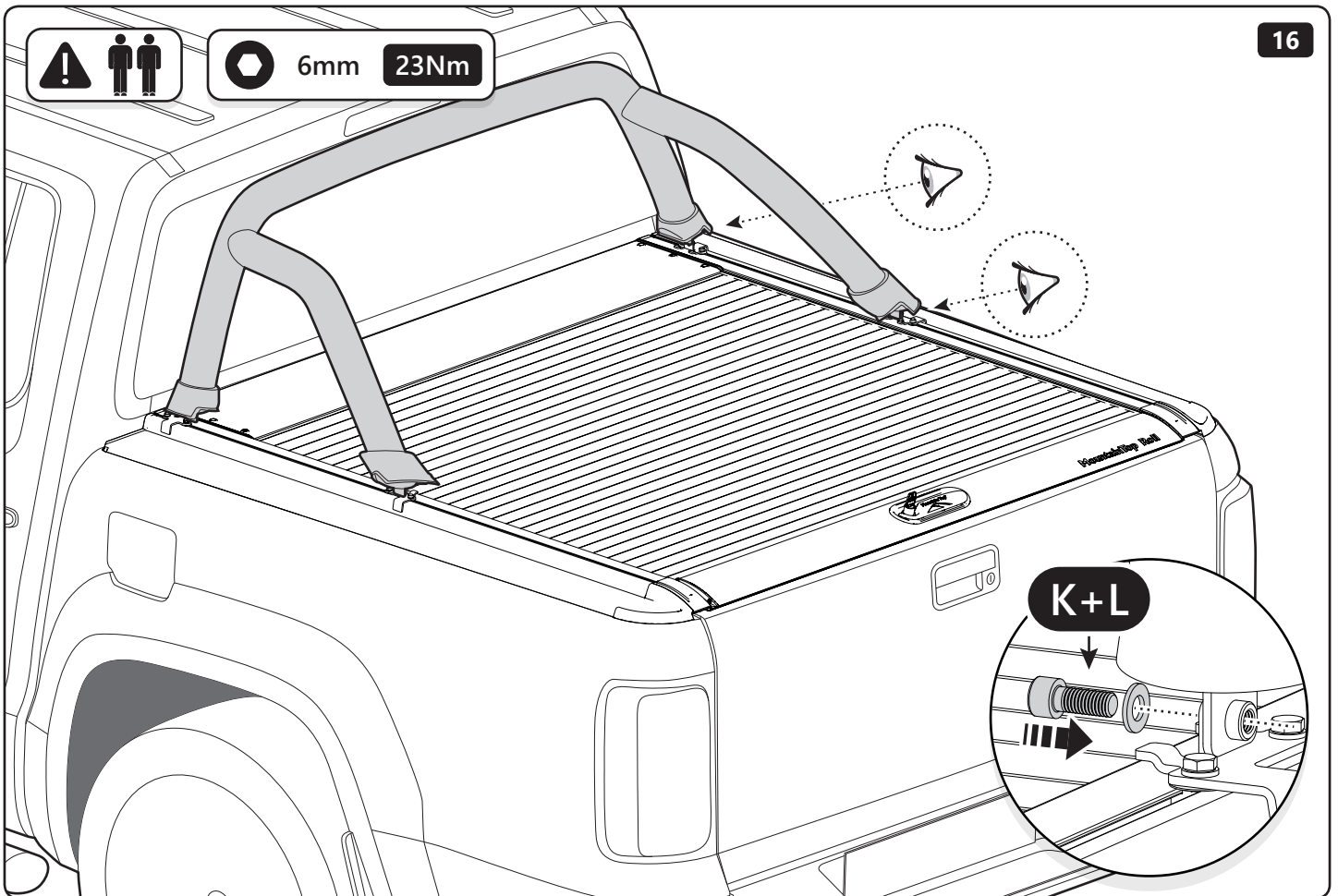
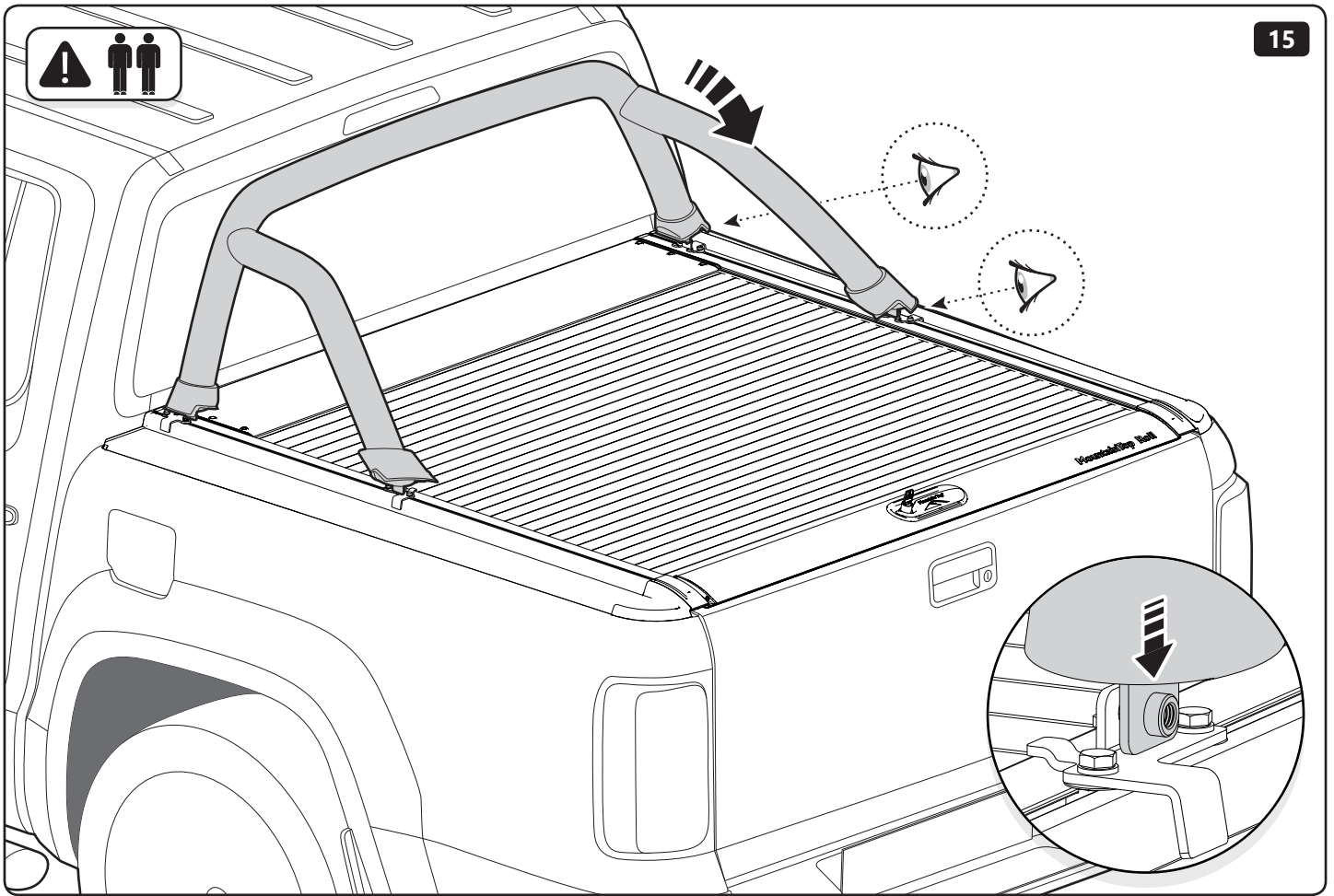


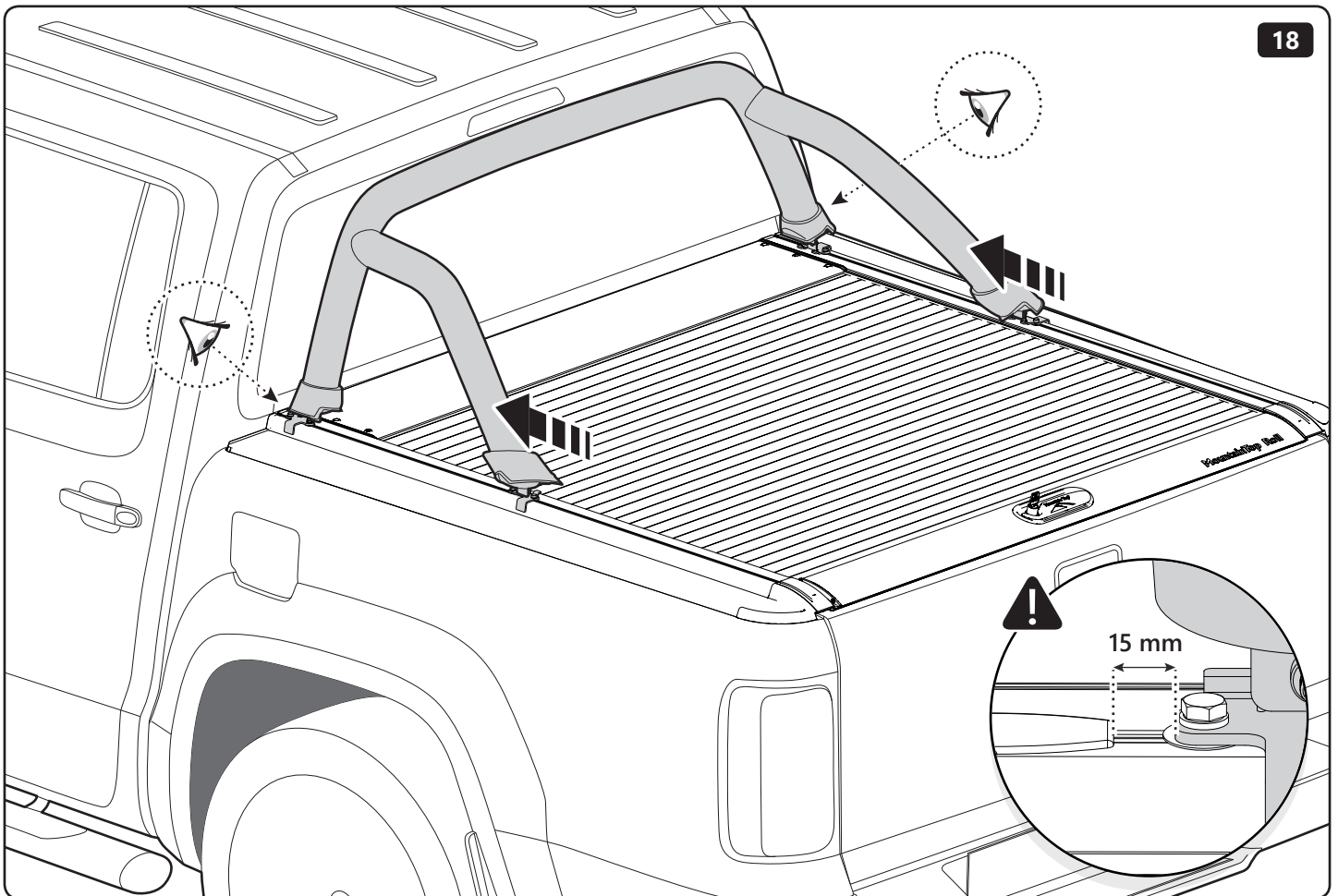
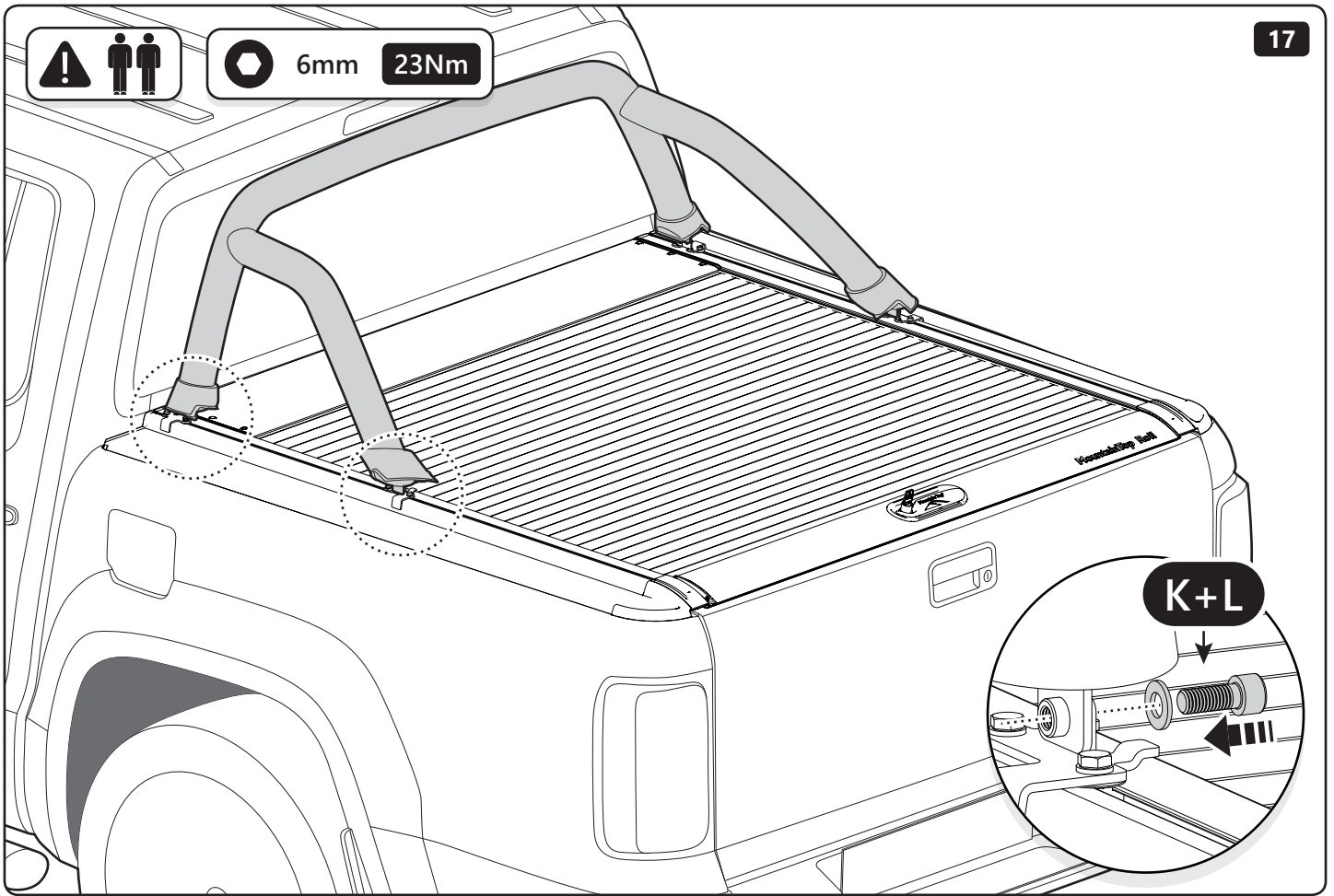




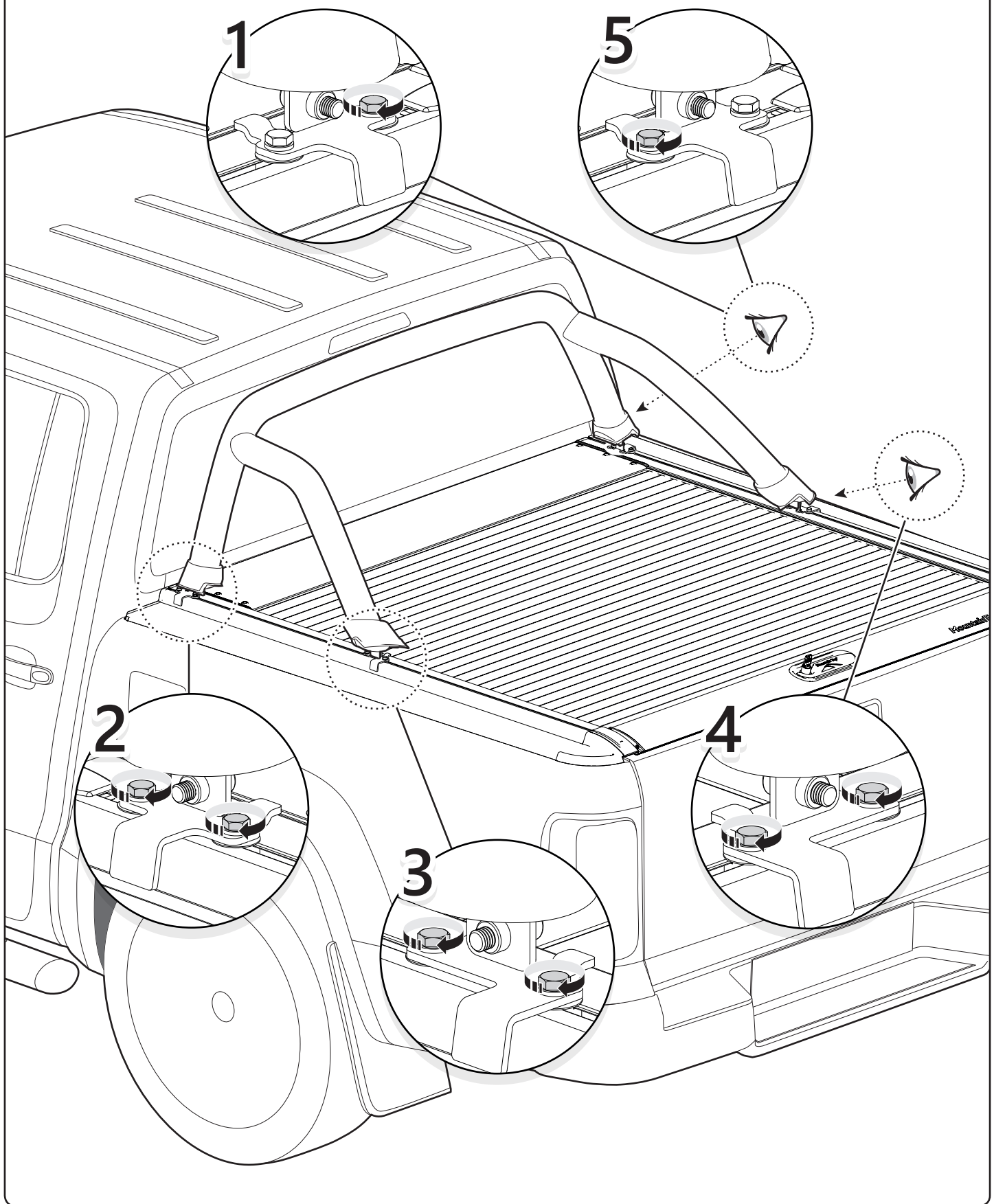


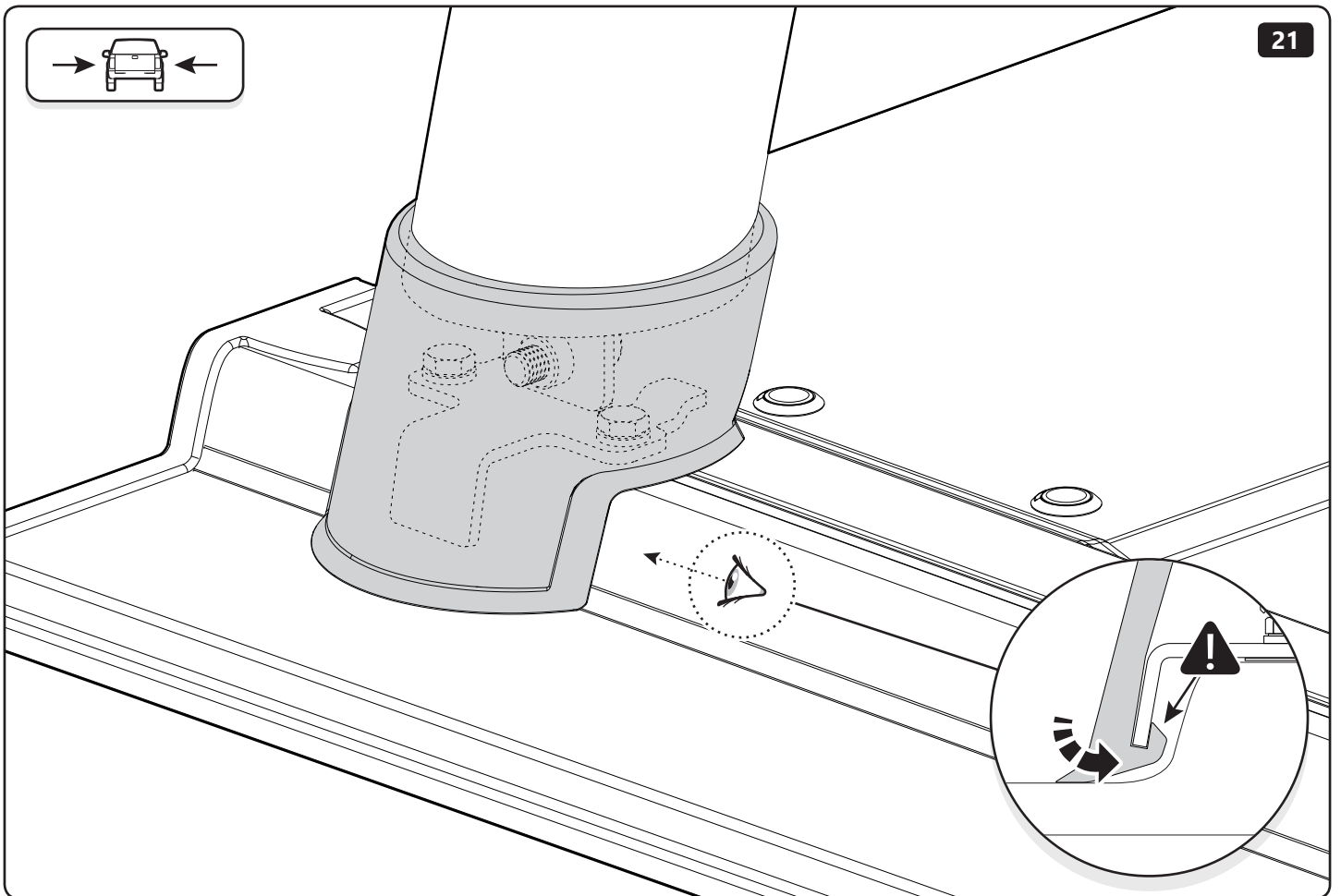
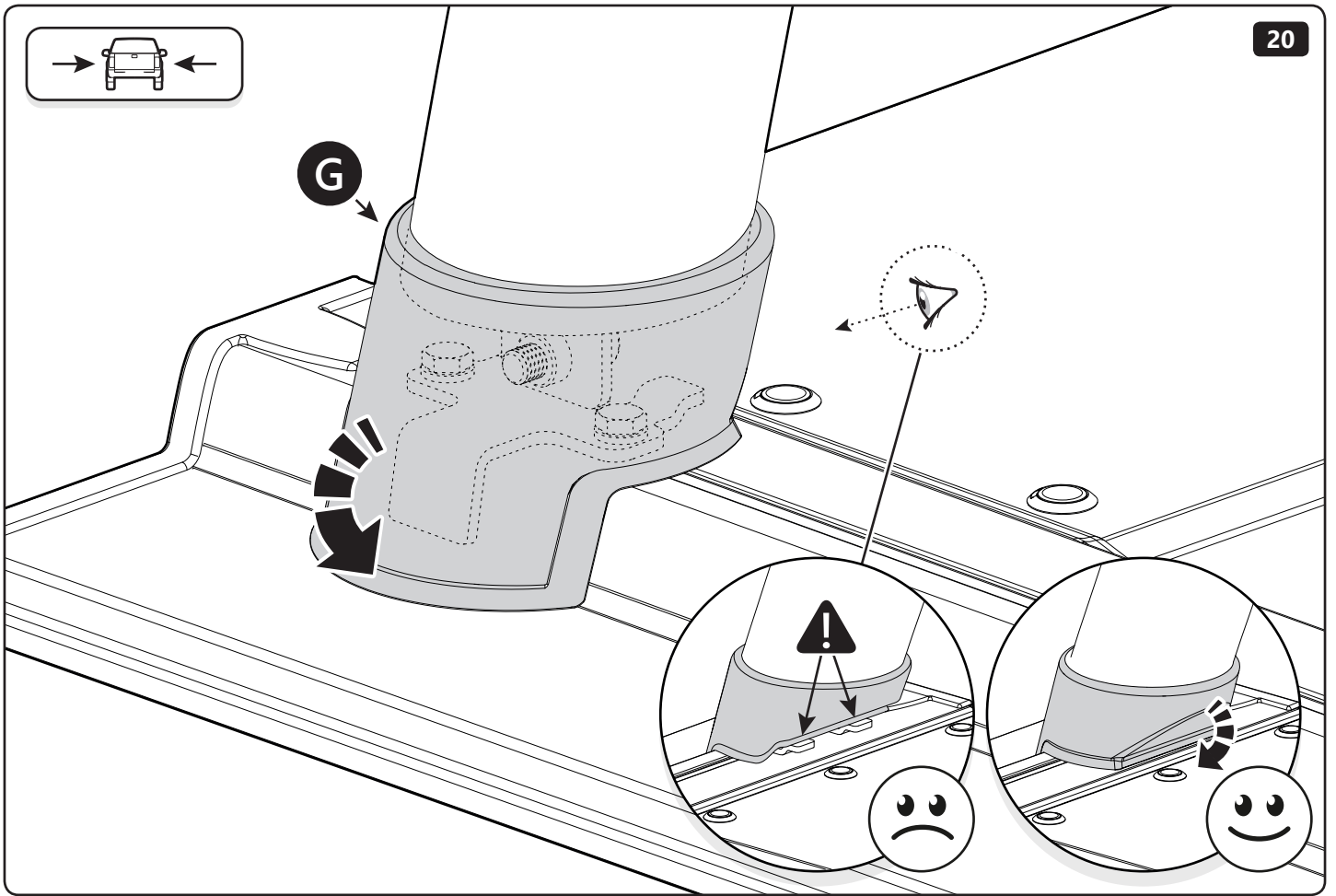


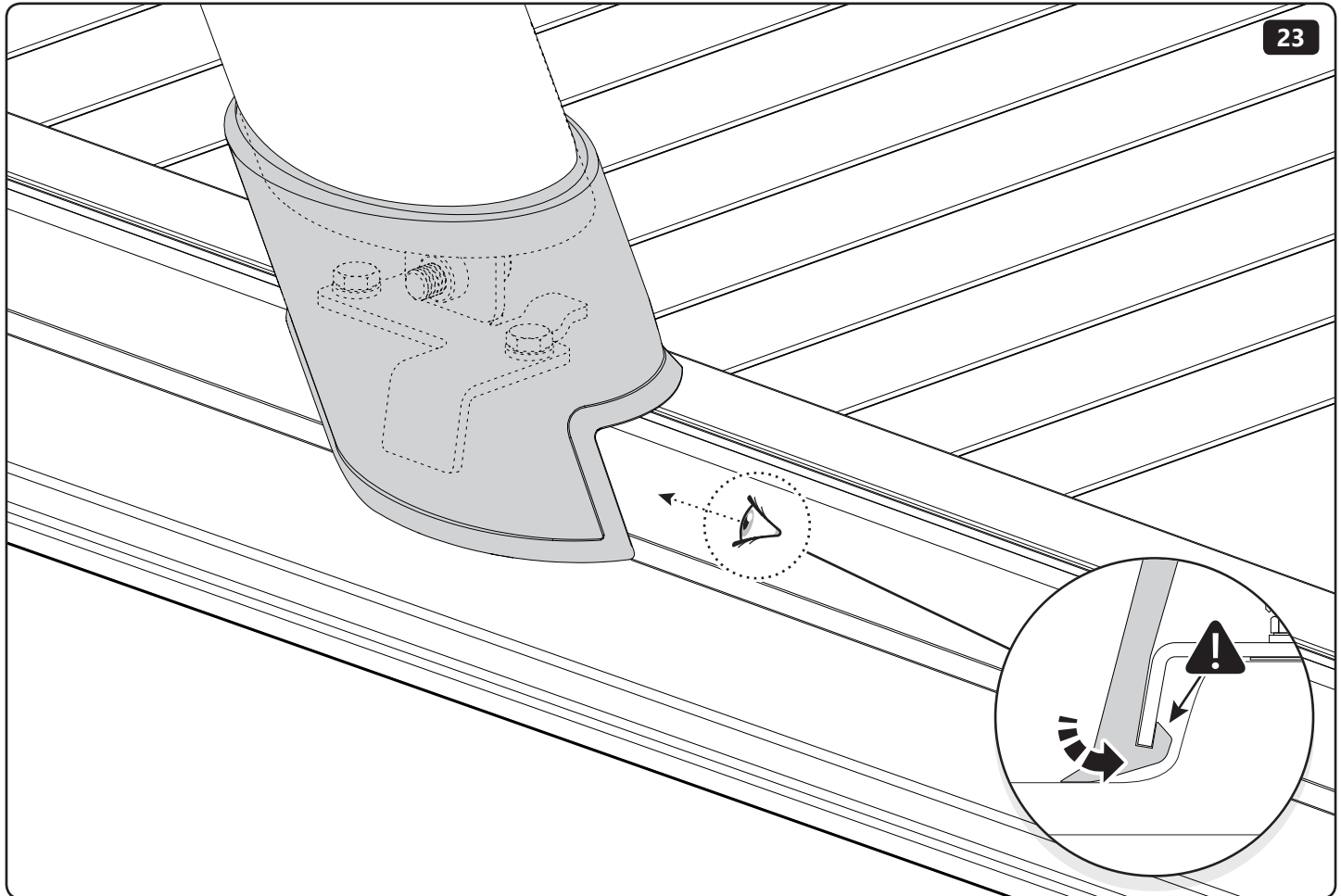
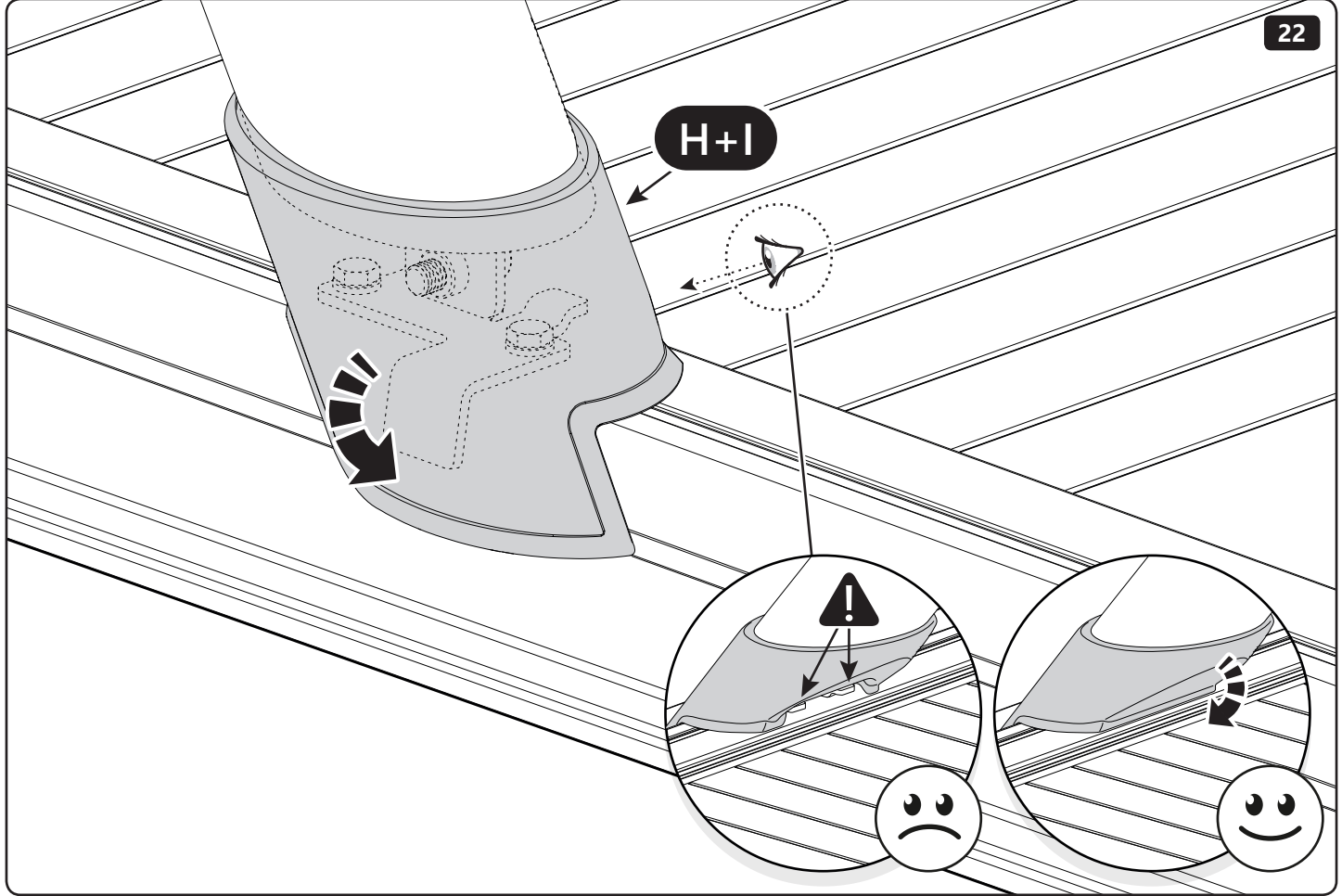




10mm 10Nm









Customer Service +45 4810 2950 (08:00 - 16:00 CET)
Fax +45 4810 2960
Support info@mountaintop.dk
Website www.mountaintop.dk
Address Pedersholmparken 10, 3600 Frederikssund, Denmark

PART NUMBER(S)	MODEL / YEAR	CAB TYPE(S)	INSTALLATION TIME	WEIGHT
SB SS90 P01	Ssangyong / 2018 →	Double Cab	1 hour(s)	10 Kg

GB Installation manual	S Monteringsanvisning	D Einbauanleitung
SF Asennusohje	E Instrucciones de montaje	CZ Návod k instalaci
F Notice de montage	H Szerelési utasítás	I Istruzioni de montaggio
PL Instrukcja montażu	P Instruções de instalação	GR Οδηγίες Εγκατάστασης
NL Installatie-instructies	RUS Инструкция по установке	DK Monteringsvejledning
TR Montaj Talimatı	N Monteringsveiledning	RO Instructiuni de instalare